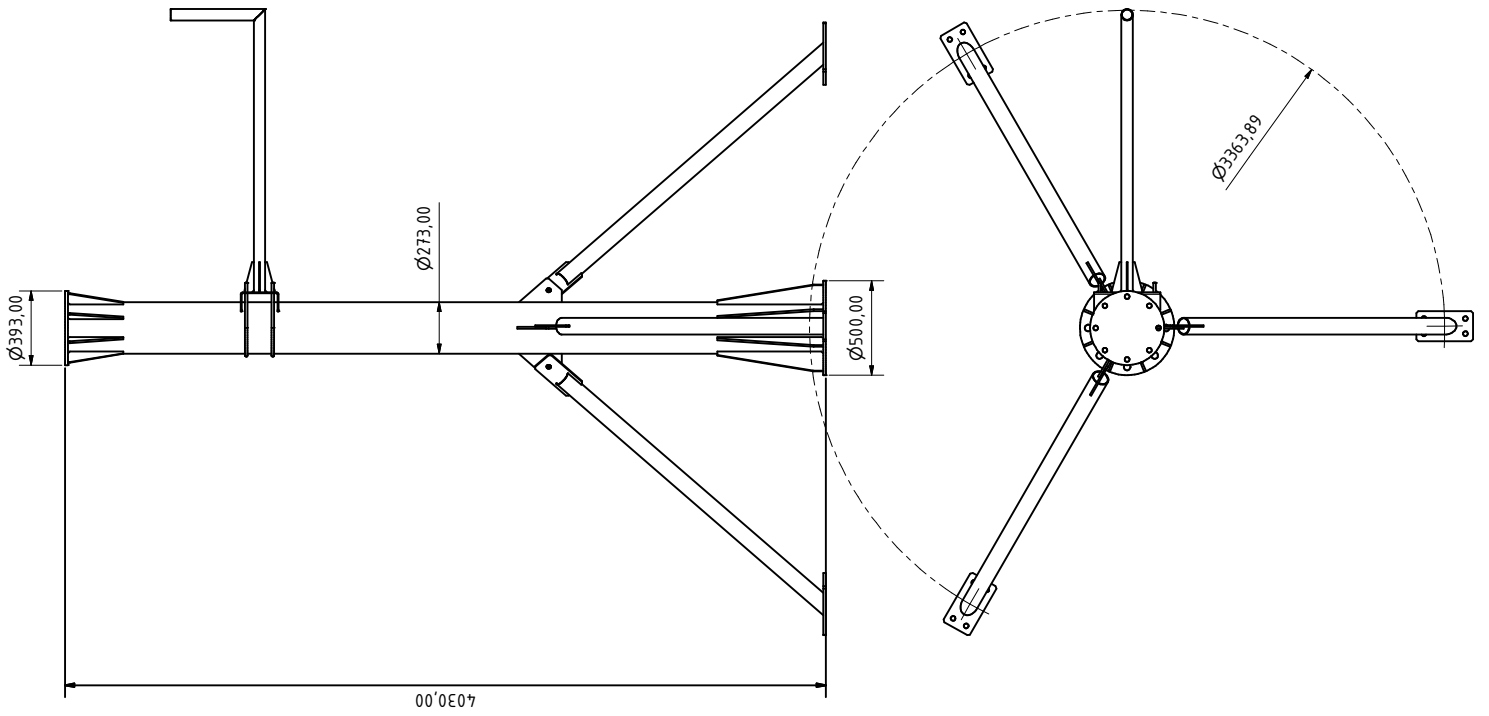
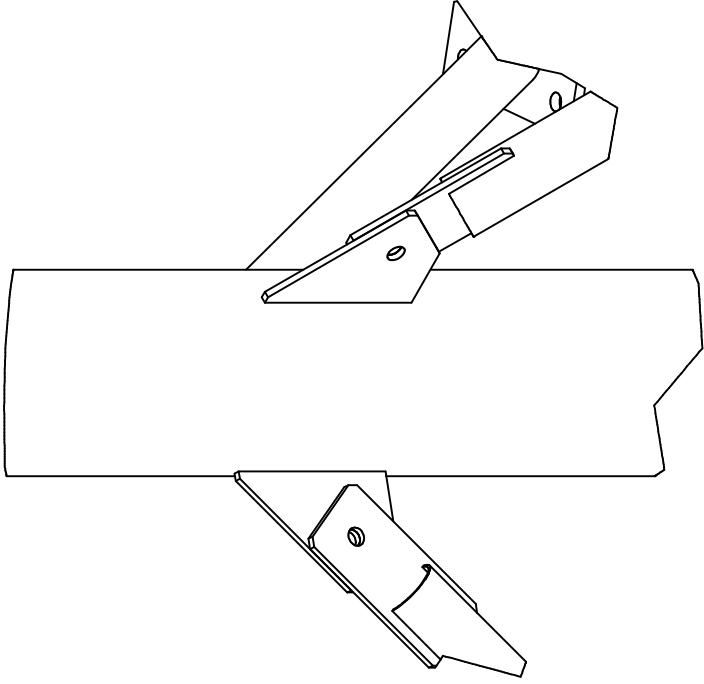


ITEM	QTY	PART NUMBER	MATERIAL	MASS
1	1	A12M F213_ASS		280733.139 g
1.1	1	A12M F213_B	END01317/0130 d=15mm	22213.848 g
1.2	1	A12M F213_A	END0305-5 (DIN2395)	65746.011 g
1.3	1	A12M F213_C	END01317/0130 d=15mm	13821.138 g
1.4	8	A12M F213_BK	END01317/0130 d=10,0mm	3032.219 g
1.5	8	A12M F213_TK	END01317/0130 d=10,0mm	1822.261 g
1.6	1	A12M DA_ASS		13145.080 g
1.6.1	1	A12M DA_C	END01317/0130 d=5,0mm	4408.545 g
1.6.2	1	A12M DA_60-A	END0305-5 (DIN2395)	6033.960 g
1.6.3	1	A12M DA_60-B	END0305-5 (DIN2395)	1928.806 g
1.6.4	4	A12M DA_BK	END01317/0130 d=5,0mm	193.442 g
1.7	2	A12M DA_U273	Def:aut	14.4096 g
1.8	3	A12M O45_T	END01317/0130 d=10,0mm	1882.754 g
1.9	3	A12M O45_ASS		9678.238 g
1.9.1	1	A12M O45_B	END01317/0130 d=15mm	5397.248 g
1.9.2	1	A12M O45_90-A	Def:aut	1678.390 g
1.9.3	1	A12M DA_U273_O45	END01317/0130 d=10,0mm	2602.599 g
2	1	A12M F219_ASS		247479.473 g
2.1	1	A12M F219_C	END01317/0130 d=15mm	13821.138 g
2.2	1	A12M F219_A	END0305-5 (DIN2395)	132248.786 g
2.3	8	A12M F219_BK	END01317/0130 d=10,0mm	9817.718 g
2.4	1	A12M F219_B	END01317/0130 d=15mm	10785.564 g
2.5	8	A12M F219_TK	END01317/0130 d=10,0mm	386188.4 g
2.6	6	A12M DA_ASS		13145.080 g
2.6.1	1	A12M DA_C	END01317/0130 d=5,0mm	4408.545 g
2.6.2	1	A12M DA_60-A	END0305-5 (DIN2395)	6033.960 g
2.6.3	1	A12M DA_60-B	END0305-5 (DIN2395)	1928.806 g
2.6.4	4	A12M DA_BK	END01317/0130 d=5,0mm	193.442 g
2.7	12	A12M DA_U219	Def:aut	118.724 g
3	1	A12M F168_ASS		179730.092 g
3.1	8	A12M F219_BK	END01317/0130 d=10,0mm	9817.718 g
3.2	1	A12M F219_B	END01317/0130 d=15mm	10785.564 g
3.3	1	A12M F168_A	END0305-5 (DIN2395)	80544.467 g
3.4	1	A12M F168_T	END01317/0130 d=5,0mm	1093.075 g
3.5	6	A12M DA_ASS		13145.080 g
3.5.1	1	A12M DA_C	END01317/0130 d=5,0mm	4408.545 g
3.5.2	1	A12M DA_60-A	END0305-5 (DIN2395)	6033.960 g
3.5.3	1	A12M DA_60-B	END0305-5 (DIN2395)	1928.806 g
3.5.4	4	A12M DA_BK	END01317/0130 d=5,0mm	193.442 g
3.6	12	A12M DA_U168	Def:aut	100.234 g

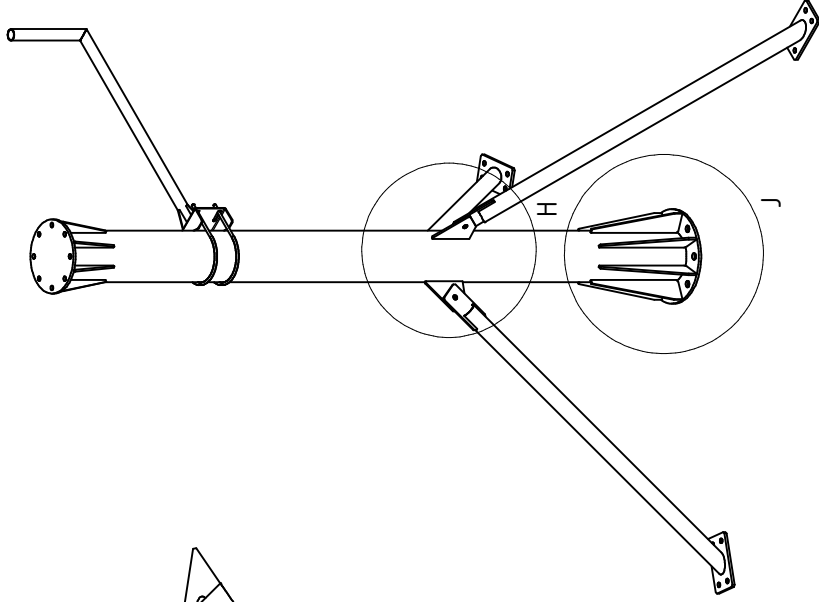
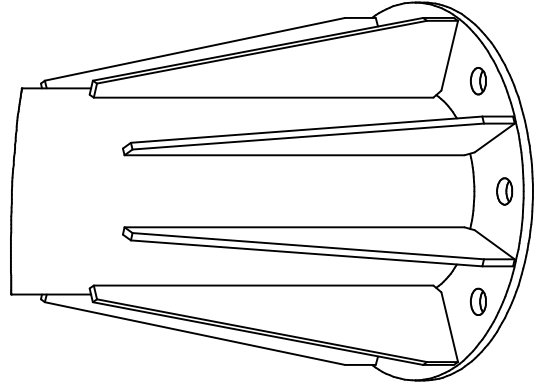
Surface protection		Tolerance		ISO-2768-mk	
Finish		Form		Material	
EN		EN		EN	
EN		EN		EN	
EN		EN		EN	
EN		EN		EN	
ELEKTRONIKA NAGLE					
A12M_ASS					
A12M_ASS / 1					



H (1:5)



J (1:5)



SURFACE PROTECTION

Tolerance  
ISO-2768-mk

Material

A12M\_ASS

Drawn	Date	Name
ZKZ 2010	EN	
	EN	
Strabec	EN	

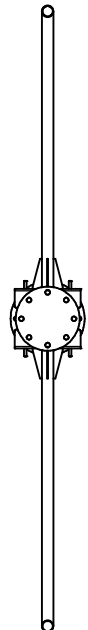
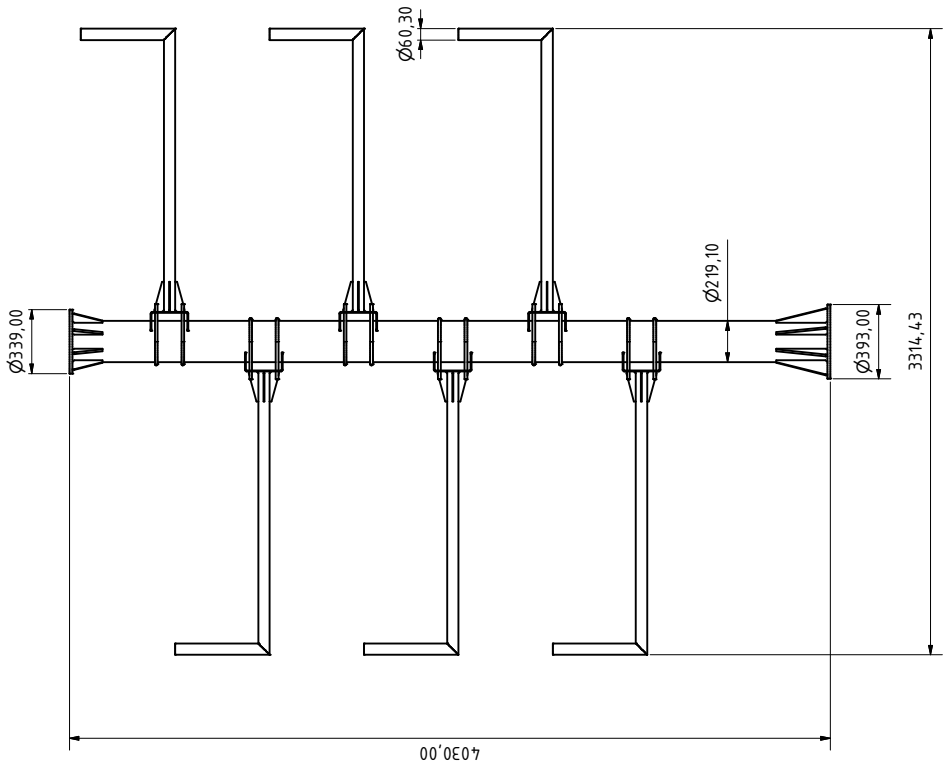
ELEKTRONIKA NAGLIČ

A12M\_F273\_ASS / 1

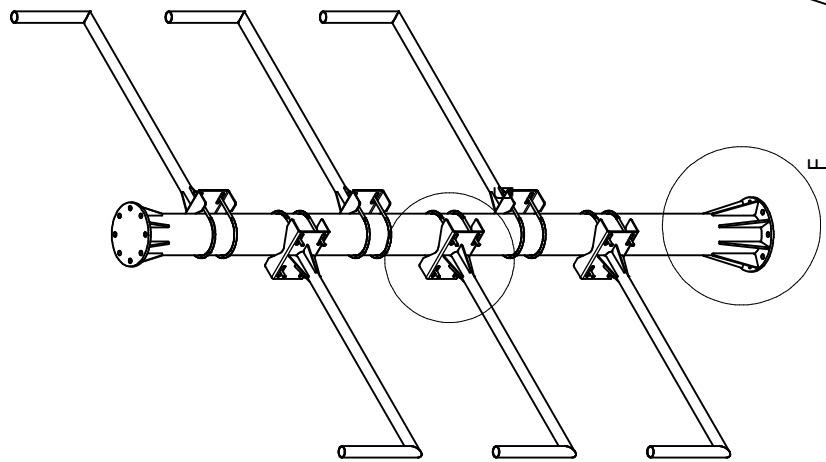
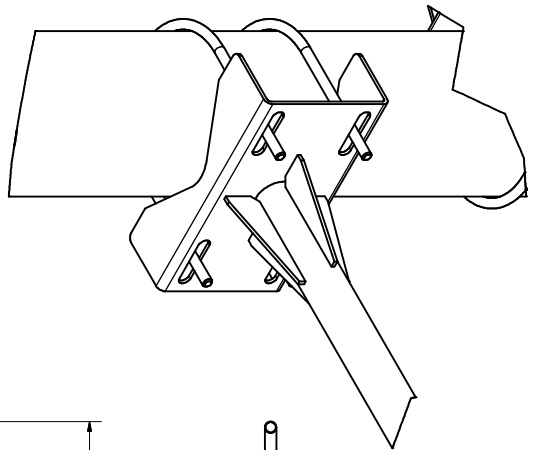
2

AZ

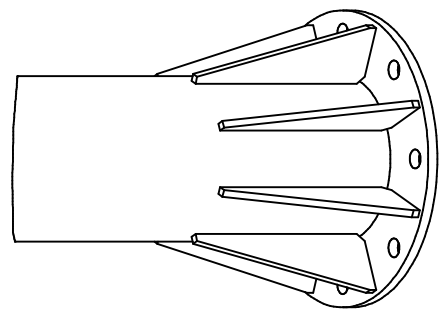
A12M\_F273\_ASS.iss



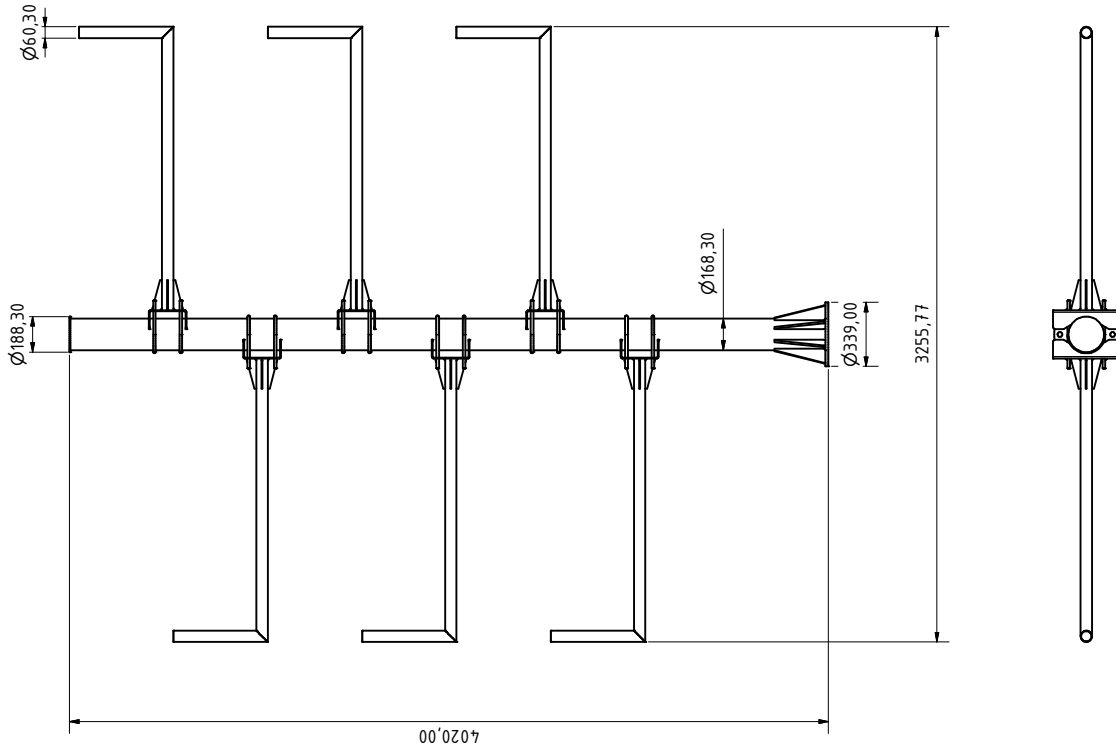
G ( 1 : 5 )



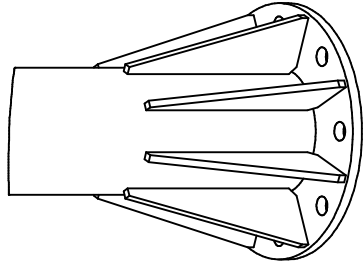
F ( 1 : 5 )



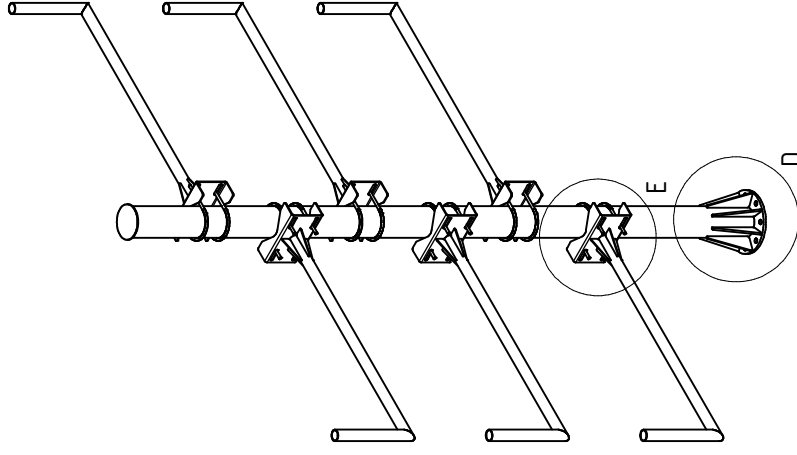
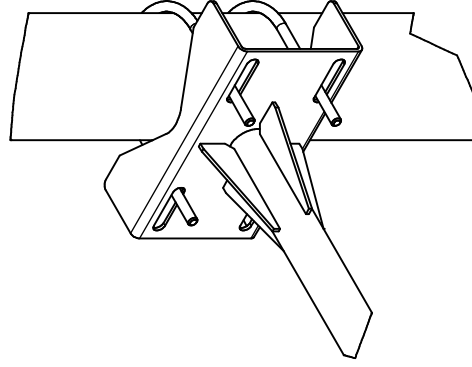
SURFACE PROTECTION		Tolerance		Material	
		ISO-2768-mk		A12M_ASS	
Drawn	Date	Drawn	Date	Name	
	22.7.2010		EN	EN	
Checked		Checked		EN	
Stripped		Stripped		EN	
ELEKTRONIKA NAGLIČ					
Sheet	Changes	Date	Name	A12M_F219_ASS / 1	
				3	
				AZ	
				A12M_F219_ASS.dwg	



D ( 1 : 5 )



E ( 1 : 5 )



SURFACE PROTECTION		Tolerance		Material	
		ISO-2768-mk			
Drawn	Date	Name	Drawn	Date	Name
	22.7.2010	EN			EN
Checked		EN	Checked		EN
Stamp			Stamp		
ELEKTRONIKA NAGLIČ					
A12M_F168_ASS / 1					
4					
A12M_F168_ASS.dwg					